

# EDI – Ideal Message CH RETANN



## Overview

Document information	
Title	Ideal Message RETANN - Vers. 4.1.0
Last modification	December 2022
Version	4.1.0 Based on EANCOM * 2002
Publication	December 2022
Publisher	GS1 Switzerland
Image source	iStock

## Disclaimer

While GS1 and all other parties involved in producing this document have made every effort to ensure the accuracy of the GS1 System standards, we state that this document is made available with no express or implied warranty for any damage or loss resulting from the use of this document. The document is in line with the state of the art and is periodically revised due to technological developments, changes to standards and new legal circumstances. Some of the products and company names mentioned in this document may be trademarks and/or registered trademarks of the relevant companies. GS1 is a registered trademark of GS1 AISBL in Brussels, Belgium.

---

## RETANN 4.1.0

### Documentation conventions

#### **Format and pictures**

	as described in column "Format" of segment details
Character type:	a :alphabetic characters n :numeric characters an :alpha-numeric characters
Size:	Fixed : all positions must be used Variable : positions may be used up to a specified maximum
Examples:	as described in column "St" of segment details

#### **Status indicators**

	as described in column "St" of segment details
(R)equired	Indicates that the entity is required and must be sent. (This status is set by EANCOM®.)
(C)onditional	Indicates that the entity is conditional and may be sent at the discretion of the user.
(D)ependent	Indicates that the entity must be sent in certain conditions, as defined by the relevant explanatory note.
(N)ot used	Indicates that the entity is not used.

#### **Restriction indicators**

	as described in column "R" of segment details
Restricted (*)	A data element marked with an asterisk (*) in the fourth column of the segment details of a message indicates that the listed codes in column five are the only codes available for use with the data element at the same level as the asterisk, in the current segment, in the current message.
Open	All data elements in which coded representation of data is possible, and in which a restricted set of code values is not indicated, are open. The available codes are listed in the Data Elements and Code Sets Directory (Part III of this manual). Code values may be given as examples or there may be a note on the format or type of code to be used.

## RETANN 4.1.0

### Message description

A message by which a party announces to another party details of goods for return due to specified reasons (e.g. returns for repair, returns because of damage, etc.).

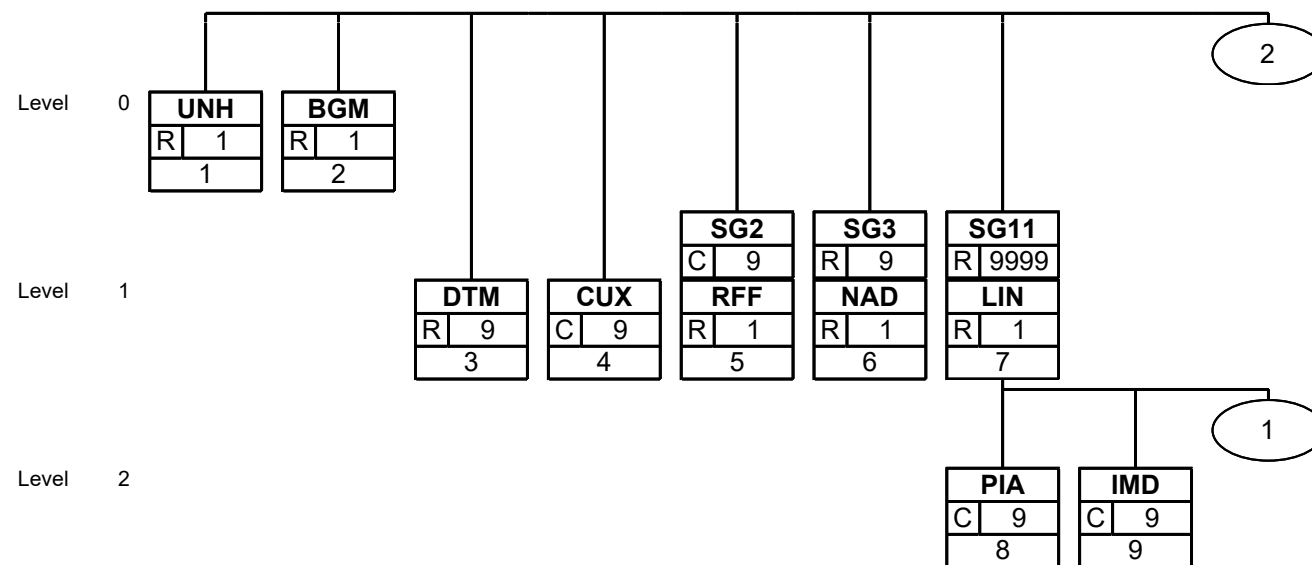
There is one RETANN message for each branch.

The original role of the partners (Buyer, Seller) involved remains in this message (analogous to ORDERS, DESADV), even if it is a return shipment.

# Ideal-Message Switzerland

## RETANN 4.1.0

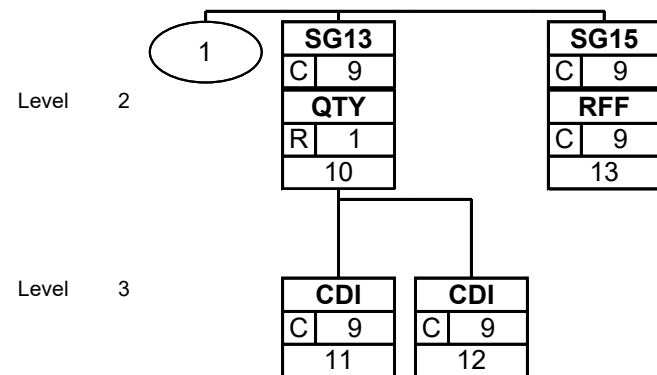
### Branching diagram



# Ideal-Message Switzerland

## RETANN 4.1.0

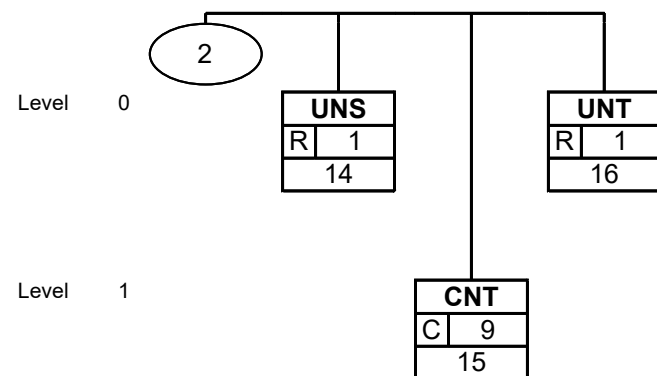
### Branching diagram



## Ideal-Message Switzerland

RETANN 4.1.0

### Branching diagram



# Ideal Message Switzerland

## RETANN 4.1.0

### Segments Layout

Segment **UNH** No.: 1 Level: 0 Message header  
 Status: R Max. occ.: 1

#### Description Message header

Description of Segment:

	Description	St Format	*	Example	Remarks
0062	Message reference number	R an..14		+1000001	Senders unique message reference. Sequence number of the messages in the interchange. DE 0062 in the UNT will be identical. Sender generated. Numbers in ascending order without gaps.
S009	Message identifier	R			
0065	Message type	R an..6	*	+RETANN	<b>RETAN</b> = <b>Announcement for returns message</b>
0052	Message version number	R an..3	*	:D	<b>D</b> = <b>Draft version/UN/EDIFACT Directory</b>
0054	Message release number	R an..3	*	:01B	<b>01B</b> = <b>Release 2001 - B</b>
0051	Controlling agency	R an..2	*	:UN	<b>UN</b> = <b>UN/CEFACT</b>
0057	Association assigned code	R an..6	*	:EAN003'	<b>EAN003</b> = <b>EAN version control number (EAN Code)</b>

#### Description:

This segment is used to head, identify and specify a message.

#### Example:

UNH+1000001+RETANN:D:01B:UN:EAN003'



# Ideal Message Switzerland

## RETANN 4.1.0

### Segments Layout

Segment **BGM** No.: 2 Level: 0 Beginning of message  
 Status: R Max. occ.: 1

#### Description Beginning of message

Description of Segment:

	Description	St Format	*	Example	Remarks
C002	Document/message name	R			
1001	Document name code	R an..3	*	+70E	<b>70E = Announcement for returns (GS1 Code)</b>
1131	Code list identification code	N an..17		:	
3055	Code list responsible agency code	R an..3	*	:9	<b>9 = EAN (International Article Numbering association)</b> Da der Code 70E ein GS1-Code (vormals EAN-Code) ist, muss hier der Code 9 zwingend übermittelt werden.
C106	Document/message identification	R			
1004	Document identifier	R an..35		+665	
1225	Message function code	R an..3	*	+9'	<b>9 = Original</b> <b>31 = Copy</b>

#### Description:

This segment is used to indicate the type and function of a message and to transmit the identifying number.

#### Example:

BGM+70E::9+665+9'

# Ideal Message Switzerland

## RETANN 4.1.0

### Segments Layout

Segment **DTM** No.: 3 Level: 1 Date/time/period  
 Status: R Max. occ.: 9

**Description Date/time/period**

Description of Segment:

	Description	St Format	*	Example	Remarks
C507	Date/time/period	R			
2005	Date or time or period function code qualifier	R an..3	*	+137	<b>35</b> = Delivery date/time, actual <b>137</b> = Document/message date/time <b>234</b> = Collection date/time, earliest <b>235</b> = Collection date/time, latest Code value 137 is required
2380	Date or time or period value	R an..35		: 2006013 1194530	
2379	Date or time or period format code	R an..3	*	:204'	<b>204</b> = CCYYMMDDHHMMSS

**Description:**

This segment is used to specify any dates applicable to the complete announcement for returns message.

**Example:**

DTM+137:20060131194530:204'

# Ideal Message Switzerland

## RETANN 4.1.0

### Segments Layout

Segment **CUX** No.: 4 Level: 1 Currencies  
 Status: C Max. occ.: 9

#### Description Currencies

Description of Segment:

	Description	St Format	*	Example	Remarks
C504	Currency details	R			
6347	Currency usage code qualifier	R an..3	*	+2	<b>2 = Reference Currency</b>
6345	Currency identification code	C an..3		:CHF	ISO 4217 three letter code
6343	Currency type code qualifier	C an..3	*	:9'	<b>9 = Order currency</b>

#### Description:

This segment is used to specify currency information for the complete order. The CUX segment is mandatory for international exchanges.

#### Example:

CUX+2:CHF:9'

# Ideal Message Switzerland

## RETANN 4.1.0

### Segments Layout

<b>Group</b>	<b>SG2</b>	Status:C	Max. occ.: 9	RFF
<b>Segment</b>	<b>RFF</b>	No.: 5 Status:R	Level: 1 Max. occ.: 1	Reference

#### Description Reference

Description of Segment:

	Description	St Format	*	Example	Remarks
C506	Reference	R			
1153	Reference code qualifier	R an..3	*	+ON	<b>AAK</b> = Despatch advice number <b>AJS</b> = Agreement number <b>DQ</b> = Delivery note number <b>ON</b> = Order number (buyer)
1154	Reference identifier	R an..70		:123556'	

#### Description:

This segment is used to specify any references valid for the complete announcement for returns message.

#### Example:

RFF+ON:123556'

# Ideal Message Switzerland

## RETANN 4.1.0

### Segments Layout

<b>Group</b>	<b>SG3</b>	Status:R	Max. occ.: 9	NAD
<b>Segment</b>	<b>NAD</b>	No.: 6 Status:R	Level: 1 Max. occ.: 1	<b>Name and address</b>

#### Description Name and address

Description of Segment:

	Description	St Format	*	Example	Remarks
3035	Party function code qualifier	R an..3	*	+BY	<b>BE</b> = <b>Beneficiary</b> <b>BY</b> = <b>Buyer</b> <b>PW</b> = <b>Despatch party</b> <b>SU</b> = <b>Supplier</b> <b>UC</b> = <b>Ultimate consignee</b>
C082	Party identification details	R			
3039	Party identifier	R an..35		+761080 8004464	GLN-Format n13
1131	Code list identification code	N an..17		:	
3055	Code list responsible agency code	R an..3	*	:9'	<b>9</b> = <b>EAN (International Article Numbering association)</b>

#### Description:

This segment is used to identify the parties involved in the announcement for return process.

#### Example:

NAD+BY+7610808004464::9'

# Ideal Message Switzerland

## RETANN 4.1.0

### Segments Layout

Group **SG11** Status:R Max. occ.: 9999 LIN-PIA-IMD-SG13-SG15

Segment **LIN** No.: 7 Level: 1 Line item  
 Status:R Max. occ.: 1

#### Description Line item

Description of Segment:

	Description	St Format	*	Example	Remarks
1082	Line item identifier	R an..6		+1	
1229	Action request/notification description code	N an..3		+	
C212	Item number identification	D			
7140	Item identifier	R an..35		+761234 5001159	
7143	Item type identification code	R an..3	*	:SRV'	<b>SRV = EAN.UCC Global Trade Item Number</b>

#### Description:

This segment is used to indicate the beginning of the detail section of the announcement for returns message.

#### Example:

LIN+1++7612345001159:SRV'

# Ideal Message Switzerland

## RETANN 4.1.0

### Segments Layout

**Group** **SG11** Status:R Max. occ.: 9999 LIN-PIA-IMD-SG13-SG15

**Segment** **PIA** No.: 8 Level: 2 Additional product id  
Status:C Max. occ.: 9

#### Description Additional product id

Description of Segment:

	Description	St Format	*	Example	Remarks
4347	Product identifier code qualifier	R an..3	*	+1	<b>1</b> = Additional identification <b>5</b> = Product identification
C212	Item number identification	R			
7140	Item identifier	R an..35		+ABC53 43	
7143	Item type identification code	R an..3	*	:IN'	<b>GB</b> = Buyer's internal product group code <b>IN</b> = Buyer's item number <b>SA</b> = Supplier's article number <b>SRV</b> = EAN.UCC Global Trade Item Number

#### Description:

This segment is used to specify additional or substitutional item identification codes such as a buyer's or supplier's item number.

#### Example:

PIA+1+ABC5343:IN'

# Ideal Message Switzerland

## RETANN 4.1.0

### Segments Layout

Group **SG11** Status:R Max. occ.: 9999 LIN-PIA-IMD-SG13-SG15

Segment **IMD** No.: 9 Level: 2 Item description  
Status:C Max. occ.: 9

#### Description Item description

Description of Segment:

	Description	St Format	*	Example	Remarks
7077	Description format code	C an..3	*	+F	<b>F = Free-form</b>
C272	Item characteristic	C			
7081	Item characteristic code	C an..3		+	
C273	Item description	A			
7009	Item description code	C an..17		+CU	<b>CU = Consumer unit (EAN Code)</b>
1131	Code list identification code	C an..17		:	
3055	Code list responsible agency code	D an..3		:9	<b>9 = EAN (International Article Numbering association)</b> Code 9 muss benutzt werden falls in C273. 7009 CU übermittelt wird, da es sich dabei um einen GS1-Code (EAN-Code) handelt.
7008	Item description	C an..25		:Corn Crispies	
7008	Item description	C an..25		:250 gr'	

#### Description:

This segment is used to describe the current line item.

#### Example:

IMD+F++CU::9:Corn Crispies:250 gr'



# Ideal Message Switzerland

## RETANN 4.1.0

### Segments Layout

Group	<b>SG11</b>	Status:R	Max. occ.: 9999	LIN-PIA-IMD-SG13-SG15
Group	<b>SG13</b>	Status:C	Max. occ.: 9	QTY-CDI
Segment	<b>QTY</b>	No.: 10 Status:R	Level: 2 Max. occ.: 1	Quantity

#### Description Quantity

Description of Segment:

	Description	St Format	*	Example	Remarks
C186	Quantity details	R			
6063	Quantity type code qualifier	R an..3	*	+61	<b>46</b> = Delivered quantity <b>61</b> = Return quantity <b>119</b> = Short shipped
6060	Quantity	R an..35		:12	
6411	Measurement unit code	D an..3		:KGM'	<b>KGM</b> = kilogram <b>LTR</b> = litre <b>MTR</b> = metre D:This DE is only used if the product being identified is of variable quantity.

#### Description:

This segment is used to specify any relevant quantities for the current line item.

#### Example:

QTY+61:12:KGM'

# Ideal Message Switzerland

## RETANN 4.1.0

### Segments Layout

Group	<b>SG11</b>	Status:R	Max. occ.: 9999	LIN-PIA-IMD-SG13-SG15
Group	<b>SG13</b>	Status:C	Max. occ.: 9	QTY-CDI
Segment	<b>CDI</b>	No.: 11 Status:C	Level: 3 Max. occ.: 9	Physical or logical state

#### Description Physical or logical state

Description of Segment:

	Description	St Format	*	Example	Remarks
7001	Physical or logical state type code qualifier	R an..3	*	+3E	<b>3E</b> = <b>Upon return (EAN Code)</b>
C564	Physical or logical state information	R			
7007	Physical or logical state description code	A an..3	*	+12E	<b>12E</b> = <b>Return goods (EAN Code)</b> <b>14E</b> = <b>Destroy goods (EAN Code)</b>
1131	Code list identification code	C an..17	:	:	
3055	Code list responsible agency code	D an..3	*	:9'	<b>9</b> = <b>EAN (International Article Numbering association)</b>

#### Description:

This segment is used to indicate conditions (actions) requested by the message sender for the current line item.

Im CDI-Segment mit dem Qualifier 9 in C564.3055 wird übermittelt, ob die Ware retourniert oder vernichtet wird.

#### Example:

CDI+3E+12E::9'

# Ideal Message Switzerland

## RETANN 4.1.0

### Segments Layout

Group	<b>SG11</b>	Status:R	Max. occ.: 9999	LIN-PIA-IMD-SG13-SG15
Group	<b>SG13</b>	Status:C	Max. occ.: 9	QTY-CDI
Segment	<b>CDI</b>	No.: 12 Status:C	Level: 3 Max. occ.: 9	Physical or logical state

#### Description Physical or logical state

Description of Segment:

	Description	St Format	*	Example	Remarks
7001	Physical or logical state type code qualifier	R an..3	*	+3E	<b>3E = Upon return (EAN Code)</b>
C564	Physical or logical state information	R			
7007	Physical or logical state description code	A an..3	*	+300	<b>100 = Qualität</b> <b>200 = Menge</b> <b>300 = Verpackung</b> <b>400 = Deklaration</b> <b>900 = Diverse</b> Bei diesen Codes handelt es sich um eine CH-Codeliste
1131	Code list identification code	C an..17	:	:	
3055	Code list responsible agency code	D an..3	*	:92	<b>92 = Assigned by buyer or buyer's agent</b>
7006	Physical or logical state description	C an..70	:	: Packung defekt'	Hier wird die detaillierte Beschreibung der Beanstandung übermittelt.

#### Description:

This segment is used to indicate conditions (actions) requested by the message sender for the current line item.

Im CDI-Segment mit dem Qualifier 92 in C564.3055 wird der Grund der Beanstandung übermittelt. Die detaillierte Beschreibung der Beanstandung erfolgt in Feld C564.7006.

#### Example:

CDI+3E+300::92:Packung defekt'

# Ideal Message Switzerland

## RETANN 4.1.0

### Segments Layout

Group	<b>SG11</b>	Status:R	Max. occ.: 9999	LIN-PIA-IMD-SG13-SG15
Group	<b>SG15</b>	Status:C	Max. occ.: 9	RFF
Segment	<b>RFF</b>	No.: 13 Status:C	Level: 2 Max. occ.: 9	Reference

#### Description Reference

Description of Segment:

	Description	St Format	*	Example	Remarks
C506	Reference	R			
1153	Reference code qualifier	R an..3	*	+PD	<b>PD</b> = <b>Promotion deal number</b>
1154	Reference identifier	R an..70		: 9478004 3'	

#### Description:

This segment is used to provide references specific to the line item and overrides any global references provided in the heading section of the message when the same qualifier is used here.

#### Example:

RFF+PD:94780043'

# Ideal Message Switzerland

## RETANN 4.1.0

### Segments Layout

Segment **UNS** No.: 14 Level: 0 Section control  
 Status: R Max. occ.: 1

#### Description Section control

Description of Segment:

	Description	St Format	*	Example	Remarks
0081	Section identification	R a1	*	+S'	<b>S = Detail/summary section separation</b>

#### Description:

This segment is used to identify the break between the message detail and message trailer sections.

#### Example:

UNS+S'

# Ideal Message Switzerland

## RETANN 4.1.0

### Segments Layout

Segment **CNT** No.: 15 Level: 1 Control total  
 Status: C Max. occ.: 9

#### Description Control total

Description of Segment:

	Description	St Format	*	Example	Remarks
C270	Control	R			
6069	Control total type code qualifier	R an..3	*	+2	<b>2 = Number of line items in message</b>
6066	Control total value	R n..18		:2'	

#### Description:

This is used to provide message control information for checking on the message receivers in-house system.

#### Example:

CNT+2:120'

# Ideal Message Switzerland

**RETANN 4.1.0**

## Segments Layout

**Segment** **UNT** No.: 16 Level: 0 **Message trailer**  
Status: R Max. occ.: 1

**Description Message trailer**

Description of Segment:

	Description	St Format	*	Example	Remarks
0074	Number of segments in the message	R n..6		+15	
0062	Message reference number	R an..14		+100000 1'	

**Description:**

This segment is a mandatory EN/EDIFACT segment. It must always be the last segment in the message.

**Example:**

UNT+15+1000001'

# Ideal-Message Switzerland

## RETANN 4.1.0

### List of changes

No.	Description	Segments and elements	
01	03.01.2019: CUX segemten added (CR 17-003)	4	CUX
02	03.01.2019: Publication version 4.0.0	1	UNH



## **GS1 Switzerland – The Global Language of Business**

Global Standards provide more efficiency in value networks. GS1 Switzerland supports companies in optimizing their flows of goods, information and values and provides practical knowledge. Together with our members, we develop standards and process recommendations and create benefits for all parties involved. GS1 Switzerland is a neutral association based in Bern and part of the not-for-profit organization GS1, which is active in 140 countries.

### **GS1 Switzerland**

Monbijoustrasse 68  
CH-3007 Bern  
T +41 58 800 70 00

[www.gs1.ch](http://www.gs1.ch)

