

EDI – Ideal Message CH RECADV



Overview

| Document information | |
|----------------------|------------------------------------|
| Title | Ideal Message RECADV - Vers. 4.1.0 |
| Last modification | December 2022 |
| Version | 4.1.0 Based on EANCOM * 2002 |
| Publication | December 2022 |
| Publisher | GS1 Switzerland |
| Image source | iStock |

Disclaimer

While GS1 and all other parties involved in producing this document have made every effort to ensure the accuracy of the GS1 System standards, we state that this document is made available with no express or implied warranty for any damage or loss resulting from the use of this document. The document is in line with the state of the art and is periodically revised due to technological developments, changes to standards and new legal circumstances. Some of the products and company names mentioned in this document may be trademarks and/or registered trademarks of the relevant companies. GS1 is a registered trademark of GS1 AISBL in Brussels, Belgium.

RECADV 4.1.0

Documentation conventions

Format and pictures

| | |
|-----------------|--|
| | as described in column "Format" of segment details |
| Character type: | a :alphabetic characters n :numeric characters an :alpha-numeric characters |
| Size: | Fixed : all positions must be used Variable : positions may be used up to a specified maximum |
| Examples: | as described in column "St" of segment details |

Status indicators

| | |
|---------------|--|
| | as described in column "St" of segment details |
| (R)equired | Indicates that the entity is required and must be sent. (This status is set by EANCOM®.) |
| (C)onditional | Indicates that the entity is conditional and may be sent at the discretion of the user. |
| (D)ependent | Indicates that the entity must be sent in certain conditions, as defined by the relevant explanatory note. |
| (N)ot used | Indicates that the entity is not used. |

Restriction indicators

| | |
|----------------|--|
| | as described in column "R" of segment details |
| Restricted (*) | A data element marked with an asterisk (*) in the fourth column of the segment details of a message indicates that the listed codes in column five are the only codes available for use with the data element at the same level as the asterisk, in the current segment, in the current message. |
| Open | All data elements in which coded representation of data is possible, and in which a restricted set of code values is not indicated, are open. The available codes are listed in the Data Elements and Code Sets Directory (Part III of this manual). Code values may be given as examples or there may be a note on the format or type of code to be used. |

RECADV 4.1.0

Message description

Definition:

The Receiving Advice message addresses the business needs related to the receipt of goods. It is used either:

- to confirm reception of goods
- in conjunction with the Despatch Advice message to confirm receipt or to advise discrepancies following the reception of goods and/or the controlled contents of a despatch which has been accepted (the waybill is signed).
- to inform about discrepancies between goods received and goods ordered/planned.

Principles:

The message relates to one consignor and one consignee and is initiated by the party who has received the goods and/or services according to agreed conditions.

The message relates to a single despatch point and a single receiving point. It may cover a number of different items or packages.

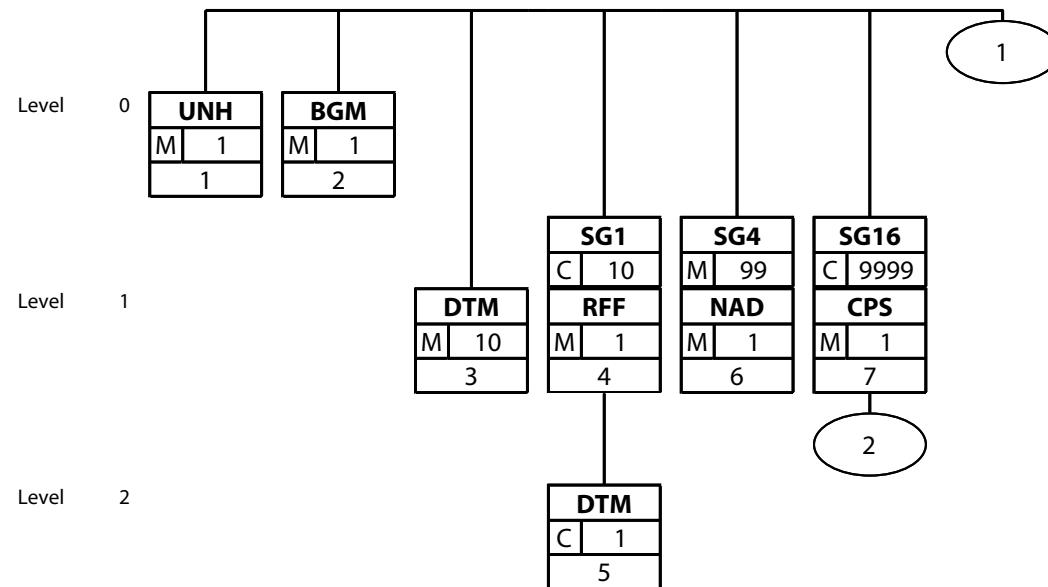
It allows the buyer or recipient of goods to provide the supplier or respective agent with;

- a confirmation of the receipt of goods
- a notification on discrepancies between the number of items RECEIVED AND ACCEPTED and the number of items despatched (and/or ordered)
- a notification or instruction concerning the acceptance or suggested actions for the identified discrepancies.

The Receiving Advice should always be sent by the buyer to the supplier or their respective agents after the goods are physically received and inspected.

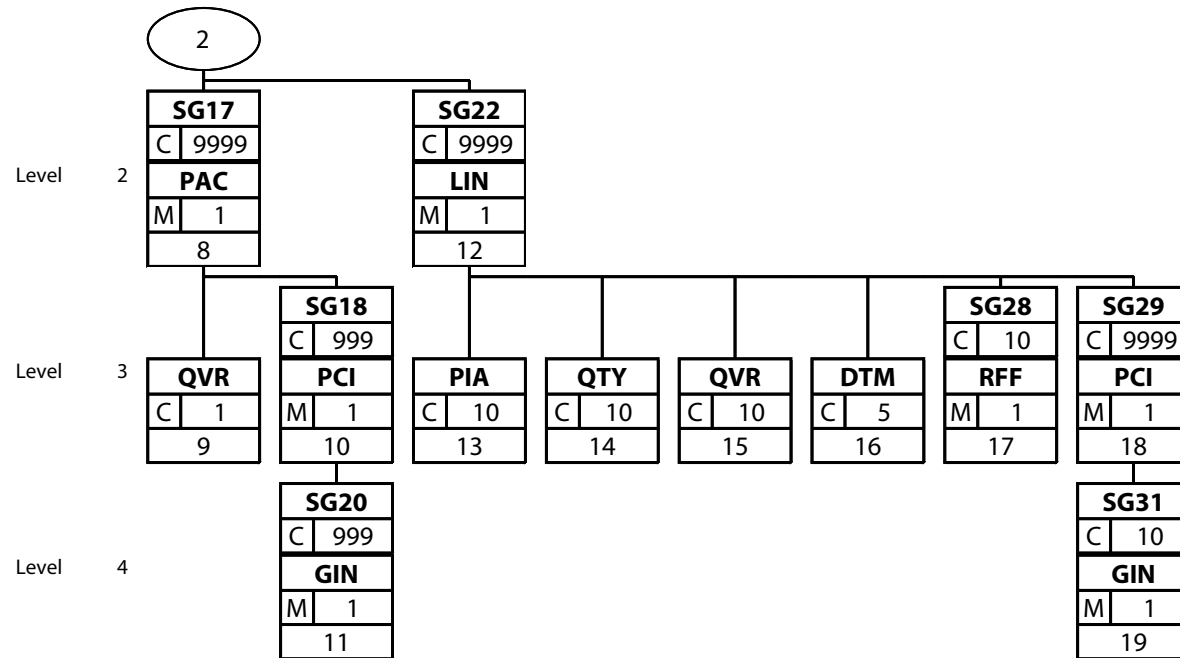
RECADV 4.1.0

Branching diagram



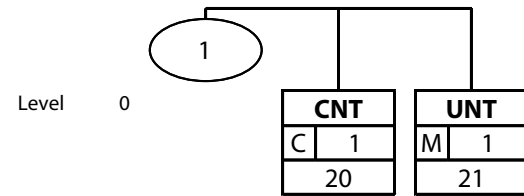
RECADV 4.1.0

Branching diagram



RECADV 4.1.0

Branching diagram



RECADV 4.1.0

Segments Layout

Segment **UNH** No.: 1 Level: 0 **Message header**
 Status: M Max. occ.: 1

Description Message header

Description of Segment:

| | Description | St Format | * | Example | Remarks |
|------|---------------------------|-----------|---|---------------|---|
| 0062 | Message reference number | M an..14 | | +685997 01 | Senders unique message reference. Sequence number of the messages in the interchange. DE 0062 in the UNT will be identical. Sender generated. Numbers in ascending order without gaps. |
| S009 | Message identifier | M | | | |
| 0065 | Message type | M an..6 | * | +RECAD V | RECADV = Receiving advice message |
| 0052 | Message version number | M an..3 | * | :D | D = Draft version/UN/EDIFACT Directory |
| 0054 | Message release number | M an..3 | * | :01B | 01B = Release 2001 - B |
| 0051 | Controlling agency | M an..2 | * | :UN | UN = UN/CEFACT |
| 0057 | Association assigned code | R an..6 | * | :EAN006' | Indicates that the message is the EANCOM version 006 of the Receiving Advice. |

Description:

This message is used to head, identify and specify a message.

DE's 0065, 0052, 0054 and 0051: Indicate that the message is a UNSM Receiving Advice based on the D.01B directory under the control of the United Nations.

Example:

UNH+68599701+RECADV:D:01B:UN:EAN006'

RECADV 4.1.0

Segments Layout

Segment **BGM** No.: 2 Level: 0 **Beginning of message**
 Status: M Max. occ.: 1

Description Beginning of message

Description of Segment:

| | Description | St Format | * | Example | Remarks |
|------|---------------------------------|-----------|---|---------|---|
| C002 | Document/message name | R | | | |
| 1001 | Document name code | R an..3 | * | +632 | 632 = Goods receipt |
| C106 | Document/message identification | R | | | |
| 1004 | Document identifier | R an..35 | | +5488 | Receiving Advice number assigned by the document sender. For global unique identification of documents Global Document Type Identifier (GDTI) is available. |
| 1225 | Message function code | R an..3 | * | +9' | 9 = Original The message function coded, is a critical data element in this segment. It applies to all data indicated in the message. The following definitions apply for the restricted codes: 9 = Original - An original transmission of a Receiving Advice. |

Description:

This segment is used to indicate the type and function of a message and to transmit the identifying number. All references other than the document message number DE 1004 are to be put into the RFF segment.

Example:

BGM+632+5488+9'

RECADV 4.1.0

Segments Layout

Segment **DTM** No.: 3 Level: 1 Date/time/period
 Status: M Max. occ.: 10

Description Date/time/period

Description of Segment:

| | Description | St Format | * | Example | Remarks |
|------|--|-----------|---|-------------------------|---|
| C507 | Date/time/period | M | | | |
| 2005 | Date or time or period function code qualifier | M an..3 | * | +137 | 35 = Delivery date/time, actual 50 = Goods receipt date/time 137 = Document/message date/time |
| 2380 | Date or time or period value | R an..35 | | : 2010100 8000000 | |
| 2379 | Date or time or period format code | R an..3 | * | :204' | 204 = CCYYMMDDHHMMSS |

Description:

This segment is used to specify any dates related to the complete receiving advice message.

DE 2005: Identification of the 'Document/message date/time' (code value 137) is mandatory in an EANCOM message.

Example:

DTM+137:20101008000000:204'

RECADV 4.1.0

Segments Layout

Group **SG1** Status: C Max. occ.: 10 RFF-DTM

Segment **RFF** No.: 4 Level: 1 Reference
 Status: M Max. occ.: 1

Description Reference

Description of Segment:

| | Description | St Format | * | Example | Remarks |
|------|--------------------------|-----------|---|----------|--|
| C506 | Reference | M | | | |
| 1153 | Reference code qualifier | M an..3 | * | +AAK | AAK = Despatch advice number ALQ = Returns notice number ON = Order number (buyer) VN = Order number (supplier) |
| 1154 | Reference identifier | R an..70 | | :533662' | |

Description:

This segment is used to specify references which apply to the whole receiving advice message.

Example:

RFF+AAK:533662'

RECADV 4.1.0

Segments Layout

| | | | | |
|----------------|------------|---------------------|--------------------------|------------------|
| <i>Group</i> | SG1 | Status: C | Max. occ.: 10 | RFF-DTM |
| <i>Segment</i> | DTM | No.: 5 Status: C | Level: 2 Max. occ.: 1 | Date/time/period |

Description Date/time/period

Description of Segment:

| | Description | St Format | * | Example | Remarks |
|------|--|-----------|---|-------------------------|----------------------------------|
| C507 | Date/time/period | M | | | |
| 2005 | Date or time or period function code qualifier | M an..3 | * | +171 | 171 = Reference date/time |
| 2380 | Date or time or period value | R an..35 | | : 2010100 1000000 | |
| 2379 | Date or time or period format code | R an..3 | * | :204' | 204 = CCYYMMDDHHMMSS |

Description:

This segment is used to specify dates relating to the references given in the previous RFF segment.

Example:

DTM+171:20101008100000:204'

RECADV 4.1.0

Segments Layout

Group **SG4** Status: M Max. occ.: 99 NAD

Segment **NAD** No.: 6 Level: 1 Name and address
Status: M Max. occ.: 1

Description Name and address

Description of Segment:

| | Description | St Format | * | Example | Remarks |
|------|-----------------------------------|-----------|---|---------|---|
| 3035 | Party function code qualifier | M an..3 | | +SU | BY = Buyer DP = Delivery party GM = Inventory controller PW = Despatch party SN = Store number SU = Supplier |
| C082 | Party identification details | A | | | |
| 3039 | Party identifier | M an..35 | | +15 | For identification of parties it is recommended to use GLN - Format n13. |
| 1131 | Code list identification code | N an..17 | | : | |
| 3055 | Code list responsible agency code | R an..3 | * | :9' | 9 = GS1 |

Description:

This segment is used to identify the trading partners involved in the Receiving Advice message. Identification of the sender and recipient of the goods is mandatory in the Receiving Advice.

Example:

NAD+BY+5412345000013::9'

NAD+SU+5412345000020::9'

RECADV 4.1.0

Segments Layout

Group **SG16** Status: C Max. occ.: 9999 CPS-SG17-SG22

Segment **CPS** No.: 7 Level: 1 **Consignment packing sequence**
 Status: M Max. occ.: 1

Description Consignment packing sequence

Description of Segment:

| | Description | St Format | * | Example | Remarks |
|------|--|-----------|---|---------|---|
| 7164 | Hierarchical structure level identifier | M an..35 | | +1 | Sequential numbering recommended. When not identifying different shipment hierarchical levels within the Receiving Advice, it is recommended to use a default value of 1. |
| 7166 | Hierarchical structure parent identifier | A an..35 | | +1' | |

Description:

This segment is used to provide a detailed description of the packaging of the goods.

Example:

CPS+1'

RECADV 4.1.0

Segments Layout

| | | | | |
|---------|-------------|---------------------|--------------------------|---------------|
| Group | SG16 | Status: C | Max. occ.: 9999 | CPS-SG17-SG22 |
| Group | SG17 | Status: C | Max. occ.: 9999 | PAC-QVR-SG18 |
| Segment | PAC | No.: 8 Status: M | Level: 2 Max. occ.: 1 | Package |

Description Package

Description of Segment:

| | Description | St Format | * | Example | Remarks | |
|------|-----------------------------------|-----------|---|---------|---|---|
| 7224 | Package quantity | D n..8 | | +1 | In the "advice discrepancies" scenario this data element should be used when quantity variances at the package level have to be reported and carry the number of packages that were actually received. In the "confirmation of receipt of goods" scenario, this data element may carry the number of packages that were received. | |
| C531 | Packaging details | N | | | | |
| 7075 | Packaging level code | N an..3 | | + | | |
| C202 | Package type | O | | | | |
| 7065 | Package type description code | A an..17 | | +201 | | All codes of code list 7065 may be used |
| 1131 | Code list identification code | N an..17 | | : | | |
| 3055 | Code list responsible agency code | C an..3 | * | :9' | 9 = GS1 | |

Description:

This segment is used to identify the total number of packages and package types for the hierarchical level identified in the CPS segment.

Please refer to the 'Structure of the Receiving Advice Message' section in the introduction for details on the use of the PAC segment.

Example:

PAC+10++201::9'

RECADV 4.1.0

Segments Layout

| | | | | |
|---------|-------------|---------------------|--------------------------|--------------------|
| Group | SG16 | Status: C | Max. occ.: 9999 | CPS-SG17-SG22 |
| Group | SG17 | Status: C | Max. occ.: 9999 | PAC-QVR-SG18 |
| Segment | QVR | No.: 9 Status: C | Level: 3 Max. occ.: 1 | Quantity variances |

Description Quantity variances

Description of Segment:

| | Description | St Format | * | Example | Remarks |
|------|---------------------------------|-----------|---|---------|--|
| C279 | Quantity difference information | R | | | |
| 6064 | Quantity variance value | M n..15 | | +40 | Specify the actual variance amount here. |
| 6063 | Quantity type code qualifier | R an..3 | * | :124' | 124 = Damaged goods 195 = Received, not accepted, to be returned 196 = Received, not accepted, to be destroyed |

Description:

This segment is used to indicate quantity variances related to the currently identified package.
For negative values (e.g. damaged goods not accepted) the variance must be expressed as negative.

Example:

QVR+-40:124'

RECADV 4.1.0

Segments Layout

| | | | | |
|---------|-------------|----------------------|--------------------------|------------------------|
| Group | SG16 | Status: C | Max. occ.: 9999 | CPS-SG17-SG22 |
| Group | SG17 | Status: C | Max. occ.: 9999 | PAC-QVR-SG18 |
| Group | SG18 | Status: C | Max. occ.: 999 | PCI-SG20 |
| Segment | PCI | No.: 10 Status: M | Level: 3 Max. occ.: 1 | Package identification |

Description Package identification

Description of Segment:

| | Description | St Format | * | Example | Remarks |
|------|---------------------------|-----------|---|---------|--|
| 4233 | Marking instructions code | R an..3 | * | +1' | 33E = Marked with serial shipping container code (GS1 Code) |

Description:

This segment is used to provide markings and labels information relevant to the packaging unit identified in the PAC segment.

The segment may be used to provide labelling information on shipping containers not known by the receiver of the goods.

Example:

PCI+33E'

RECADV 4.1.0

Segments Layout

| | | | | |
|----------------|-------------|----------------------|--------------------------|------------------------------|
| Group | SG16 | Status: C | Max. occ.: 9999 | CPS-SG17-SG22 |
| Group | SG17 | Status: C | Max. occ.: 9999 | PAC-QVR-SG18 |
| Group | SG18 | Status: C | Max. occ.: 999 | PCI-SG20 |
| Group | SG20 | Status: C | Max. occ.: 999 | GIN |
| Segment | GIN | No.: 11 Status: M | Level: 4 Max. occ.: 1 | Goods identity number |

Description Goods identity number

Description of Segment:

| | Description | St Format | * | Example | Remarks |
|------|--------------------------------------|-----------|---|------------------------------|---|
| 7405 | Object identification code qualifier | M an..3 | * | +BJ | BJ = Serial shipping container code |
| C208 | Identity number range | M | | | |
| 7402 | Object identifier | M an..35 | | +354123 4500000 00014' | |

Description:

This segment is used to provide identification numbers relevant to the packaging unit identified in the PAC segment.

DE C208: If a sequential series of identity numbers is provided (e.g., 1 up to and including 10) only one repetition of the C208 composite is needed with the first repetition of 7402 specifying the numerically smaller identity number (e.g., 1) and the second repetition the larger identity number (e.g., 10). If identity numbers are not sequential and part of a series (e.g., 1, 3, and 10) then a separate C208 and DE 7402 must be used for each identity number.

In EANCOM it is recommended to use the Serial Shipping Container Code (SSCC) for unique identification of individual transport packages.

Example:

GIN+BJ+354123450000000014'

RECADV 4.1.0

Segments Layout

| | | | | |
|---------|-------------|----------------------|--------------------------|-------------------------------|
| Group | SG16 | Status: C | Max. occ.: 9999 | CPS-SG17-SG22 |
| Group | SG22 | Status: C | Max. occ.: 9999 | LIN-PIA-QTY-QVR-DTM-SG28-SG29 |
| Segment | LIN | No.: 12 Status: M | Level: 2 Max. occ.: 1 | Line item |

Description Line item

Description of Segment:

| | Description | St Format | * | Example | Remarks |
|------|--|-----------|---|--------------------|---|
| 1082 | Line item identifier | R an..6 | | +1 | Application generated number of the line item within the Receiving Advice. |
| 1229 | Action request/notification description code | C an..3 | | + | |
| C212 | Item number identification | D | | | This composite will only be used for the identification of GS1 codes. If another coding structure is required, e.g. HIBC, this composite will not be used and the code will be detailed in the PIA segment. |
| 7140 | Item identifier | R an..35 | | +761234 5001005 | Format n..14 GTIN - this is the number of the article which has been received. |
| 7143 | Item type identification code | R an..3 | * | :SRV' | SRV = GS1 Global Trade Item Number |

Description:

This segment is used to identify the product received.

If Global Trade Item Numbers are available it is mandatory to use GTIN within the LIN segment.

If a product has been delivered but not accepted it must be identified using a separate line item. In these cases the received and accepted quantities are zero. Such products might include unknown or not ordered products, excess deliveries, damaged goods, unacceptable product variants or batch numbers, different pack size, etc..

Reasons for the action is detailed in the QTY-QVR-DTM segments.

Example:

LIN+1++7612345001005:SRV'

RECADV 4.1.0

Segments Layout

| | | | | |
|---------|-------------|----------------------|---------------------------|-------------------------------|
| Group | SG16 | Status: C | Max. occ.: 9999 | CPS-SG17-SG22 |
| Group | SG22 | Status: C | Max. occ.: 9999 | LIN-PIA-QTY-QVR-DTM-SG28-SG29 |
| Segment | PIA | No.: 13 Status: C | Level: 3 Max. occ.: 10 | Additional product id |

Description Additional product id

Description of Segment:

| | Description | St Format | * | Example | Remarks |
|------|-----------------------------------|-----------|---|-------------------|---|
| 4347 | Product identifier code qualifier | M an..3 | * | +5 | 1 = Additional identification 5 = Product identification Product Id function, coded has the following restricted coded functions: 1 = Additional Identification - To provide an additional identity for the primary GTIN identified in the LIN segment. The additional code can consist of: A supplemental identification which provides more information complementary to the GTIN provided in the LIN segment, e.g., a batch number, promotional variant number, etc., An alternative identification which may be used instead of the main GTIN provided in the LIN segment, e.g., a buyers article number, an HIBC code, etc. 5 - Product Identification - To provide the primary product identification code when no GTIN has been provided in the LIN segment. |
| C212 | Item number identification | M | | | |
| 7140 | Item identifier | R an..35 | | +220995 3C001L | |
| 7143 | Item type identification code | R an..3 | * | :IN | GB = Buyer's internal product group code IN = Buyer's item number SRV = GS1 Global Trade Item Number |
| 1131 | Code list identification code | O an..17 | | :23 | |
| 3055 | Code list responsible agency code | D an..3 | | :9' | |

Description:

This segment is used to specify additional product codes for the current line item.

Example:

PIA+5+2209953C001L:AC'

RECADV 4.1.0

Segments Layout

| | | | | |
|---------|-------------|----------------------|---------------------------|-------------------------------|
| Group | SG16 | Status: C | Max. occ.: 9999 | CPS-SG17-SG22 |
| Group | SG22 | Status: C | Max. occ.: 9999 | LIN-PIA-QTY-QVR-DTM-SG28-SG29 |
| Segment | QTY | No.: 14 Status: C | Level: 3 Max. occ.: 10 | Quantity |

Description Quantity

Description of Segment:

| | Description | St Format | * | Example | Remarks |
|------|------------------------------|-----------|---|---------|---|
| C186 | Quantity details | M | | | |
| 6063 | Quantity type code qualifier | M an..3 | * | +194 | 12 = Despatch quantity 21 = Ordered quantity 46 = Delivered quantity 48 = Received quantity 59 = Number of consumer units in the traded unit 66 = Committed quantity 192 = Free goods quantity 194 = Received and accepted |
| 6060 | Quantity | M an..35 | | :50 | |
| 6411 | Measurement unit code | D an..3 | | :KGM' | KGM = kilogram LTR = litre MTR = metre This DE is only used if the current product is of variable quantity. |

Description:

This segment is used to specify any quantities related to the current line item.

Example:

QTY+194:150'

RECADV 4.1.0

Segments Layout

| | | | | |
|---------|-------------|----------------------|---------------------------|-------------------------------|
| Group | SG16 | Status: C | Max. occ.: 9999 | CPS-SG17-SG22 |
| Group | SG22 | Status: C | Max. occ.: 9999 | LIN-PIA-QTY-QVR-DTM-SG28-SG29 |
| Segment | QVR | No.: 15 Status: C | Level: 3 Max. occ.: 10 | Quantity variances |

Description Quantity variances

Description of Segment:

| | Description | St Format | * | Example | Remarks |
|------|--|-----------|---|-------------------|---|
| C279 | Quantity difference information | R | | | |
| 6064 | Quantity variance value | M n..15 | | +1 | Specify the actual variance amount here. |
| 6063 | Quantity type code qualifier | R an..3 | * | :1 | 12 = Despatch quantity 21 = Ordered quantity 46 = Delivered quantity 195 = Received, not accepted, to be returned 196 = Received, not accepted, to be destroyed |
| 4221 | Discrepancy nature identification code | O an..3 | * | +AC | AC = Over-shipped AE = Delivered but not advised AF = Goods delivered damaged AG = Delivered too late BP = Shipment partial - back order to follow CP = Shipment partial - considered complete, no backorder |
| C960 | Reason for change | O | | | |
| 4295 | Change reason description code | R an..3 | | +AT | open code list 4295 |
| 1131 | Code list identification code | C an..17 | | : | |
| 3055 | Code list responsible agency code | D an..3 | * | :2 | 9 = GS1 |
| 4294 | Change reason description | O an..35 | | : Description' | |

Description:

This segment is used to specify any variances between what was received and accepted and what was ordered/ shipped.

If the quantity received and/or accepted is less than the quantity expected by the receiver (e.g. damaged goods

RECADV 4.1.0

Segments Layout

not accepted), the value of QVR, DE 6064 must be expressed as a negative.

If the quantity received and/or accepted is greater than the quantity expected by the receiver (e.g. overshipped), the value of QVR, DE 6064 must be expressed as a positive.

Example:

QVR+40:195+AC'

RECADV 4.1.0

Segments Layout

| | | | | |
|---------|-------------|----------------------|--------------------------|-------------------------------|
| Group | SG16 | Status: C | Max. occ.: 9999 | CPS-SG17-SG22 |
| Group | SG22 | Status: C | Max. occ.: 9999 | LIN-PIA-QTY-QVR-DTM-SG28-SG29 |
| Segment | DTM | No.: 16 Status: C | Level: 3 Max. occ.: 5 | Date/time/period |

Description Date/time/period

Description of Segment:

| | Description | St Format | * | Example | Remarks |
|------|--|-----------|---|-------------------------|--|
| C507 | Date/time/period | M | | | |
| 2005 | Date or time or period function code qualifier | M an..3 | * | +2 | 61 = Cancel if not delivered by this date 200 = Pick-up/collection date/time of cargo 360 = Sell by date '200, Pick-up/collection date of cargo' - may be used to specify the collection date of goods being returned, and may be used in conjunction with QVR segment DE 6063 qualifier '195, Received not accepted, to be returned'. '61, Cancel if not delivered by this date' - may be used in back-order situations and may be used in conjunction with QVR segment DE 4221 code BP = Shipment partial, back order to follow. '360, Sell by date' - may be used to specify the sell by date of rejected products and may be used in conjunction with QVR segment DE 4295 code PE = minimum/maximum durability date unacceptable. |
| 2380 | Date or time or period value | R an..35 | | : 2010100 8145500 | |
| 2379 | Date or time or period format code | R an..3 | * | :204' | 204 = CCYYMMDDHHMMSS |

Description:

This segment is used to specify dates related to the current line item.

Example:

DTM+200:20021115:102'

RECADV 4.1.0

Segments Layout

| | | | | |
|---------|-------------|----------------------|--------------------------|-------------------------------|
| Group | SG16 | Status: C | Max. occ.: 9999 | CPS-SG17-SG22 |
| Group | SG22 | Status: C | Max. occ.: 9999 | LIN-PIA-QTY-QVR-DTM-SG28-SG29 |
| Group | SG28 | Status: C | Max. occ.: 10 | RFF |
| Segment | RFF | No.: 17 Status: M | Level: 3 Max. occ.: 1 | Reference |

Description Reference

Description of Segment:

| | Description | St Format | * | Example | Remarks |
|------|--------------------------|-----------|---|---------|---|
| C506 | Reference | M | | | |
| 1153 | Reference code qualifier | M an..3 | | +AAK | AAK = Despatch advice number LI = Line item reference number ON = Order number (buyer) PD = Promotion deal number POR = Purchase order response number Qualifier LI refers to the related detail order line of the ORDERS message. The order-number must be submitted in the header of the message with the qualifier ON (VN). (see example): |
| 1154 | Reference identifier | R an..70 | | :63321 | |
| 1156 | Document line identifier | O an..6 | | :1' | |

Description:

This segment is used to specify any references associated with the current line item.

Example:

RFF+AAK:63321'

RFF+ON:CT051523:123'

RFF+LI:123'

RECADV 4.1.0

Segments Layout

| | | | | |
|---------|-------------|----------------------|--------------------------|-------------------------------|
| Group | SG16 | Status: C | Max. occ.: 9999 | CPS-SG17-SG22 |
| Group | SG22 | Status: C | Max. occ.: 9999 | LIN-PIA-QTY-QVR-DTM-SG28-SG29 |
| Group | SG29 | Status: C | Max. occ.: 9999 | PCI-SG31 |
| Segment | PCI | No.: 18 Status: M | Level: 3 Max. occ.: 1 | Package identification |

Description Package identification

Description of Segment:

| | Description | St Format | * | Example | Remarks |
|------|---------------------------|-----------|---|---------|-------------------------------|
| 4233 | Marking instructions code | O an..3 | * | +10' | 10 = Mark batch number |

Description:

This segment is used to provide markings and labels information relevant to the product identified in the LIN segment.

Example:

PCI+10'

RECADV 4.1.0

Segments Layout

| | | | | |
|---------|-------------|----------------------|--------------------------|-------------------------------|
| Group | SG16 | Status: C | Max. occ.: 9999 | CPS-SG17-SG22 |
| Group | SG22 | Status: C | Max. occ.: 9999 | LIN-PIA-QTY-QVR-DTM-SG28-SG29 |
| Group | SG29 | Status: C | Max. occ.: 9999 | PCI-SG31 |
| Group | SG31 | Status: C | Max. occ.: 10 | GIN |
| Segment | GIN | No.: 19 Status: M | Level: 4 Max. occ.: 1 | Goods identity number |

Description Goods identity number

Description of Segment:

| | Description | St Format | * | Example | Remarks |
|------|--------------------------------------|-----------|---|-------------|--------------------------|
| 7405 | Object identification code qualifier | M an..3 | | +BX | BX = Batch number |
| C208 | Identity number range | M | | | |
| 7402 | Object identifier | M an..35 | | +M12345 XY' | |

Description:

This segment is used to provide the Serial Shipping Container Code marked on the packaging of the current line item.

DE C208: If a sequential series of identity numbers is provided (e.g., 1 up to and including 10) only one repetition of the C208 composite is needed with the first repetition of 7402 specifying the numerically smaller identity number (e.g., 1) and the second repetition the larger identity number (e.g., 10). If identity numbers are not sequential and part of a series (e.g., 1, 3, and 10) then a separate C208 and DE 7402 must be used for each identity number.

Within internal applications, users may provide a range of Serial Shipping Container Codes using one repetition of C208 (as described above) by transmitting a 17 digit SSCC and calculating the check digit within the application. In EANCOM it is recommended to use the Serial Shipping Container Code (SSCC) for unique identification of individual transport packages.

Example:

Example:

GIN+BJ+354123450000000014'

RECADV 4.1.0

Segments Layout

Segment **CNT** No.: 20 Level: 0 **Control total**
 Status: C Max. occ.: 1

Description Control total

Description of Segment:

| | Description | St Format | * | Example | Remarks |
|------|--------------------------------------|-----------|---|---------|--|
| C270 | Control | M | | | |
| 6069 | Control total type code qualifier | M an..3 | * | +2 | 2 = Number of line items in message |
| 6066 | Control total value | M n..18 | | :1' | |

Description:

This segment is used to provide message control information for checking on the message receivers in-house system.

Example:

Example:

CNT+2:120'

RECADV 4.1.0

Segments Layout

Segment **UNT** No.: 21 Level: 0 **Message trailer**
 Status: M Max. occ.: 1

Description **Message trailer**

Description of Segment:

| | Description | St Format | * | Example | Remarks |
|------|-----------------------------------|-----------|---|------------|---|
| 0074 | Number of segments in the message | M n..6 | | +32 | The total number of segments in the message is detailed here. |
| 0062 | Message reference number | M an..14 | | +ME000001' | The message reference numbered detailed here should equal the one specified in the UNH segment. |

Description:

This segment is a mandatory UN/EDIFACT segment. It must always be the last segment in the message.

Example:

UNT+34+ME000001'

RECADV 4.1.0

Example

Message included mandatory information only:

```
UNH+68599701+RECADV:D:01B:UN:EAN006'  
BGM+632+5488+9'  
DTM+137:20101008000000:204'  
RFF+AAK:533662'  
NAD+BY+7612345000015::9'  
NAD+SU+7612346000014::9'  
CPS+1'  
PAC+1++PX'  
CPS+2+1'  
PAC+1++PX'  
PCI+33E'  
GIN+BJ+354123450000000014'  
LIN+1++7612346000107:SRV'  
QTY+48:12'  
QVR+2:195'  
CNT+2:1'  
UNT+17+68599701'
```

RECADV 4.1.0

List of changes

| No. | Description | Segments and elements | |
|-----|---------------------------------------|-----------------------|-----|
| 01 | 01.01.2011: Publikation Version 4.0.0 | 1 | UNH |

GS1 Switzerland – The Global Language of Business

Global Standards provide more efficiency in value networks. GS1 Switzerland supports companies in optimizing their flows of goods, information and values and provides practical knowledge. Together with our members, we develop standards and process recommendations and create benefits for all parties involved. GS1 Switzerland is a neutral association based in Bern and part of the not-for-profit organization GS1, which is active in 140 countries.

GS1 Switzerland

Monbijoustrasse 68
CH-3007 Bern
T +41 58 800 70 00

www.gs1.ch

