

# EDI – Ideal Message CH INVRPT



## Overview

Document information	
Title	Ideal Message INVRPT - Vers. 4.3.0
Last modification	December 2022
Version	4.3.0 Based on EANCOM * 2002
Publication	December 2022
Publisher	GS1 Switzerland
Image source	iStock

## Disclaimer

While GS1 and all other parties involved in producing this document have made every effort to ensure the accuracy of the GS1 System standards, we state that this document is made available with no express or implied warranty for any damage or loss resulting from the use of this document. The document is in line with the state of the art and is periodically revised due to technological developments, changes to standards and new legal circumstances. Some of the products and company names mentioned in this document may be trademarks and/or registered trademarks of the relevant companies. GS1 is a registered trademark of GS1 AISBL in Brussels, Belgium.

---

## INVRPT 4.3.0

### Documentation conventions

#### **Format and pictures**

as described in column "Format" of segment details

Character type:

a :alphabetic characters  
n :numeric characters  
an :alpha-numeric characters

Size:

Fixed : all positions must be used  
Variable : positions may be used up to a specified maximum

Examples:

as described in column "St" of segment details

#### **Status indicators**

as described in column "St" of segment details

(R)equired

Indicates that the entity is required and must be sent. (This status is set by EANCOM®.)

(C)onditional

Indicates that the entity is conditional and may be sent at the discretion of the user.

(D)ependent

Indicates that the entity must be sent in certain conditions, as defined by the relevant explanatory note.

(N)ot used

Indicates that the entity is not used.

#### **Restriction indicators**

as described in column "R" of segment details

Restricted (\*)

A data element marked with an asterisk (\*) in the fourth column of the segment details of a message indicates that the listed codes in column five are the only codes available for use with the data element at the same level as the asterisk, in the current segment, in the current message.

Open

All data elements in which coded representation of data is possible, and in which a restricted set of code values is not indicated, are open. The available codes are listed in the Data Elements and Code Sets Directory (Part III of this manual). Code values may be given as examples or there may be a note on the format or type of code to be used.

## INVRPT 4.3.0

### Message description

This message is specifying information related to held inventories and planned or targeted inventories.

With the combination of INV and QTY segments in segmentgroup 11 the following informations can be transmitted. Attention: There must be always 1 INV / 1 QTY:

INV+++2'  
QTY+145:12' Actual stock  
QTY+191:5' Positive adjustment to inventory quantity  
QTY+191:-5' Negative adjustment to inventory quantity  
QTY+248:44' Reserved quantity  
QTY+250:15' Inventory discrepancy  
QTY+253:5' Control quantity  
QTY+31E:12' Promotional stock  
QTY+59:12' Number of consumer units in the traded unit  
QTY+73:125' Outstanding quantity  
QTY+82E:125' Outstanding promotion quantity

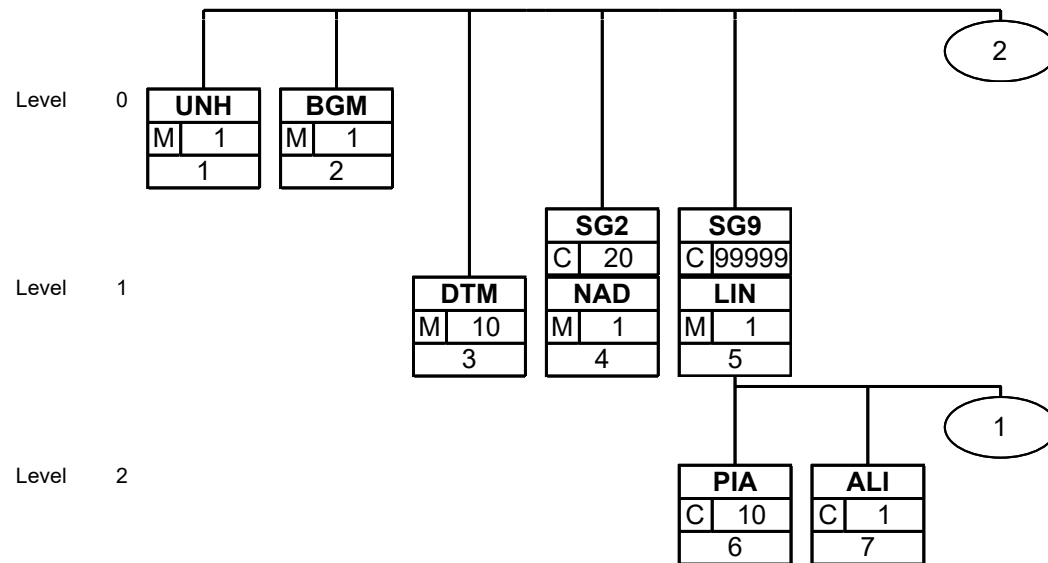
INV+1'  
QTY+61:15' Return quantity  
QTY+199:1' Withdrawal quantity  
QTY+217:10' Out of inventory quantity  
QTY+84E:1' Withdrawal promotion quantity  
QTY+86E:10' Out of inventory promotion quantity

INV+2'  
QTY+48:15' Received quantity  
QTY+57:86' In transit quantity  
QTY+85E:15' Received promotion quantity

ALI+++109'  
INV+++2'  
QTY+145:12' Actual stock (in possession of supplier)

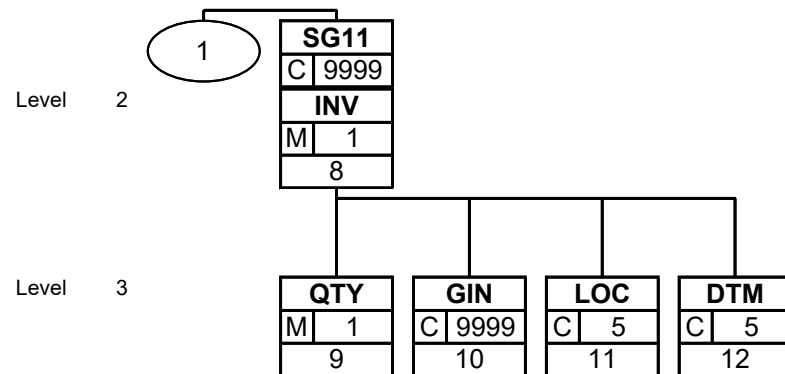
## INVRPT 4.3.0

### Branching diagram



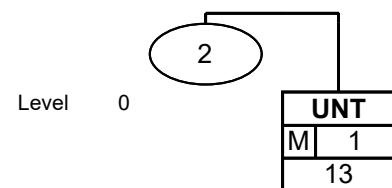
## INVRPT 4.3.0

### Branching diagram



## INVRPT 4.3.0

### Branching diagram



## INVRPT 4.3.0

### Segments Layout

Segment **UNH** No.: 1 Level: 0 Message header  
 Status: M Max. occ.: 1

#### Description Message header

Description of Segment:

	Description	St Format	*	Example	Remarks
0062	Message reference number	M an..14		+100001	Senders unique message reference. Sequence number of the messages in the interchange. DE 0062 in the UNT will be identical. Sender generated.
S009	Message identifier	M			
0065	Message type	M an..6	*	+INVRPT	<b>INVRPT = Inventory report message</b>
0052	Message version number	M an..3	*	:D	<b>D = Draft version/UN/EDIFACT Directory</b>
0054	Message release number	M an..3	*	:01B	<b>01B = Release 2001 - B</b>
0051	Controlling agency	M an..2	*	:UN	<b>UN = UN/CEFACT</b>
0057	Association assigned code	R an..6	*	:EAN006'	

#### Description:

This segment is used to head, identify and specify a message.

DE's 0065, 0052, 0054, and 0051: Indicate that the message is a UNSM Inventory Report based on the D.01B directory under the control of the United Nations.

#### Example:

UNH+100001+INVRPT:D:01B:UN:EAN006'



## INVRPT 4.3.0

### Segments Layout

Segment **BGM** No.: 2 Level: 0 Beginning of message  
 Status: M Max. occ.: 1

#### Description Beginning of message

Description of Segment:

	Description	St Format	*	Example	Remarks
C002	Document/message name	R			
1001	Document name code	R an..3	*	+35	<b>35 = Inventory report</b>
C106	Document/message identification	R			
1004	Document identifier	R an..35		+21599	Inventory Report number assigned by the document sender.
1225	Message function code	R an..3	*	+9'	<b>9 = Original</b>

#### Description:

This segment is used to indicate the type and function of a message and to transmit the identifying number.

All references other than the document number DE 1004 are to be put in the RFF segment.

#### Example:

BGM+35+INVR21599+9'

## INVRPT 4.3.0

### Segments Layout

Segment **DTM** No.: 3 Level: 1 Date/time/period  
 Status: M Max. occ.: 10

**Description Date/time/period**

Description of Segment:

	Description	St Format	*	Example	Remarks
C507	Date/time/period	M			
2005	Date or time or period function code qualifier	M an..3	*	+137	<b>90</b> = Report start date <b>91</b> = Report end date <b>137</b> = Document/message date/time <b>194</b> = Start date/time <b>206</b> = End date/time <b>366</b> = Inventory report date
2380	Date or time or period value	R an..35		: 2006040 1081300	
2379	Date or time or period format code	R an..3		:204'	<b>204</b> = CCYYMMDDHHMMSS

**Description:**

This segment is used to specify any dates relevant to the complete Inventory Report.  
 DE 2005: Identification of the 'Document/message date/time' (code value 137) is mandatory in an EANCOM message.

**Example:**

DTM+137:20060401081300:204'

## INVRPT 4.3.0

### Segments Layout

Group **SG2** Status:C Max. occ.: 20 NAD

Segment **NAD** No.: 4 Level: 1 Name and address  
 Status:M Max. occ.: 1

#### Description Name and address

Description of Segment:

	Description	St Format	*	Example	Remarks
3035	Party function code qualifier	M an..3	*	+BY	<b>BY</b> = Buyer <b>GY</b> = Inventory reporting party <b>SU</b> = Supplier
C082	Party identification details	A			
3039	Party identifier	M an..35		+541234 5000013	
1131	Code list identification code	C an..17		:	
3055	Code list responsible agency code	R an..3	*	:9'	<b>9</b> = EAN (International Article Numbering association)

#### Description:

This segment is used to identify the trading partners involved in the Inventory Report message. Identification of the parties exchanging the message is mandatory in EANCOM.

#### Example:

NAD+BY+5412345000013::9'

NAD+GY+5412345000020::9'

## INVRPT 4.3.0

### Segments Layout

Group **SG9** Status:C Max. occ.: 999999 LIN-PIA-ALI-SG11

Segment **LIN** No.: 5 Level: 1 Line item  
Status:M Max. occ.: 1

#### Description Line item

Description of Segment:

	Description	St Format	*	Example	Remarks
1082	Line item identifier	R an..6		+1	Application generated number of the count of the item lines within the Inventory Report.
1229	Action request/notification description code	N an..3		+	
C212	Item number identification	D			
7140	Item identifier	R an..35		+541234 5111115	Format n..14 GTIN - this is the number of the article being reported. Remarks from industry side: GTIN of TU must be used. Only this number is unique!
7143	Item type identification code	R an..3	*	:SRV'	<b>SRV = EAN.UCC Global Trade Item Number</b>

#### Description:

This segment is used to identify a specific line item in the inventory report.

The detail section of the Inventory Report is formed by a repeating group of segments, always starting with the LIN segment.

#### Example:

LIN+1++5412345111115:SRV'

## INVRPT 4.3.0

### Segments Layout

Group **SG9** Status:C Max. occ.: 999999 LIN-PIA-ALI-SG11

Segment **PIA** No.: 6 Level: 2 Additional product id  
 Status:C Max. occ.: 10

#### Description Additional product id

Description of Segment:

	Description	St Format	*	Example	Remarks
4347	Product identifier code qualifier	M an..3	*	+1	<b>1</b> = <b>Additional identification</b>
C212	Item number identification	M			
7140	Item identifier	R an..35		+ABC53 43	
7143	Item type identification code	R an..3	*	:IN	<b>IN</b> = <b>Buyer's item number</b> <b>GB</b> = <b>Buyer's internal product group code</b> <b>SRV</b> = <b>EAN.UCC Global Trade Item Number</b>
1131	Code list identification code	N an..17		:	
3055	Code list responsible agency code	D an..3	*	:92'	<b>9</b> = <b>EAN (International Article Numbering association)</b> <b>92</b> = <b>Assigned by buyer or buyer's agent</b>

#### Description:

This segment is used to specify additional item identification codes such as a buyer's or supplier's item number.

Remarks from industry side: Due to the high automation level within a VMI relation, all articles must be marked with a GTN. Therefore the PIA segment should not be used.

#### Example:

PIA+1+ABC5343:IN'

## INVRPT 4.3.0

### Segments Layout

Group **SG9** Status:C Max. occ.: 999999 LIN-PIA-ALI-SG11

Segment **ALI** No.: 7 Level: 2 Additional information  
 Status:C Max. occ.: 1

#### Description Additional information

Description of Segment:

	Description	St Format	*	Example	Remarks
3239	Country of origin name code	N an..3		+	
9213	Duty regime type code	N an..3		+	
4183	Special condition code	R an..3	*	+109'	<b>109 = Sale or return</b>

#### Description:

This segment is used to specify any additional information related to the current line item.  
 This segment is used to state that the stock of this article is in possession of the supplier.

#### Example:

ALI+++109'

## INVRPT 4.3.0

### Segments Layout

<i>Group</i>	<b>SG9</b>	Status:C	Max. occ.: 999999	LIN-PIA-ALI-SG11
<i>Group</i>	<b>SG11</b>	Status:C	Max. occ.: 9999	INV-QTY-GIN-LOC-DTM
<i>Segment</i>	<b>INV</b>	No.: 8 Status:M	Level: 2 Max. occ.: 1	Inventory management related details

#### Description Inventory management related details

Description of Segment:

	Description	St Format	*	Example	Remarks
4501	Inventory movement direction code	D an..3	*	+1	<b>1 = Movement out of inventory</b> <b>2 = Movement into inventory</b>
7491	Inventory type code	C an..3		+	
4499	Inventory movement reason code	N an..3		+	
4503	Inventory balance method code	D an..3	*	+1'	<b>2 = Formal inventory balance</b>

#### Description:

This segment is used to identify the inventory movement direction.

#### Example:

INV++++2'

QTY+145:12' Actual stock

INV+1'

QTY+199:1' Withdrawal quantity

INV+2'

QTY+48:15' Received quantity

More detailed examples you will find within the 'Message description' on page 3

## INVRPT 4.3.0

### Segments Layout

Group	<b>SG9</b>	Status:C	Max. occ.: 999999	LIN-PIA-ALI-SG11
Group	<b>SG11</b>	Status:C	Max. occ.: 9999	INV-QTY-GIN-LOC-DTM
Segment	<b>QTY</b>	No.: 9 Status:M	Level: 3 Max. occ.: 1	Quantity

#### Description Quantity

Description of Segment:

	Description	St Format	*	Example	Remarks
C186	Quantity details	M			
6063	Quantity type code qualifier	M an..3	*	+145	<b>26</b> = Promotion quantity <b>48</b> = Received quantity <b>57</b> = In transit quantity <b>59</b> = Number of consumer units in the traded unit <b>61</b> = Return quantity <b>73</b> = Outstanding quantity <b>135</b> = Period quantity, planned <b>145</b> = Actual stock <b>191</b> = Adjustment to inventory quantity <b>199</b> = Inventory withdrawal quantity <b>217</b> = Out of inventory quantity <b>248</b> = Reserved quantity <b>250</b> = Inventory discrepancy <b>256</b> = Quantity awaiting delivery <b>257</b> = Quantity in physical inventory <b>263</b> = Control quantity * <b>31E</b> = Promotional stock (EAN Code) <b>61E</b> = Available for despatch (EAN Code) <b>82E</b> = Outstanding promotion products quantity (EAN Code) <b>83E</b> = Promotion quantity ordered to the supplier but not yet received (EAN Code) <b>84E</b> = Movements out of promotion inventory (EAN Code) <b>85E</b> = Movements into promotion inventory (EAN Code) <b>86E</b> = Out of inventory promotion quantity (EAN Code)
6060	Quantity	M an..35		:12	
6411	Measurement unit code	D an..3		:KGM'	<b>KGM</b> = kilogram



## INVRPT 4.3.0

### Segments Layout

	Description	St Format	*	Example	Remarks
					<b>LTR</b> = litre <b>MTR</b> = metre <b>PCE</b> = Piece (EAN Code) Dieses Feld wird NUR bei gewichtsvariabler Ware benutzt. Für Stückware ist es generell leer zu lassen. Der Qualifier PCE ist demzufolge nicht zu senden.

**Description:**

This segment is used to express the quantities related to the current line item.

**Example:**

INV++++2'  
 QTY+145:12' Actual stock

INV+1'  
 QTY+199:1' Withdrawal quantity

INV+2'  
 QTY+48:15' Received quantity

More detailed examples you will find within the 'Message description' on page 3

## INVRPT 4.3.0

### Segments Layout

Group	<b>SG9</b>	Status:C	Max. occ.: 999999	LIN-PIA-ALI-SG11
Group	<b>SG11</b>	Status:C	Max. occ.: 9999	INV-QTY-GIN-LOC-DTM
Segment	<b>GIN</b>	No.: 10 Status:C	Level: 3 Max. occ.: 9999	Goods identity number

#### Description Goods identity number

Description of Segment:

	Description	St Format	*	Example	Remarks
7405	Object identification code qualifier	M an..3	*	+BX	<b>BX = Batch number</b>
C208	Identity number range	M			
7402	Object identifier	M an..35		+12'	

#### Description:

This segment is used to provide additional identification numbers relevant to the line item identified in the LIN segment and specific to the quantities reported in the QTY segment.  
EAN/UCC Serial Shipping Container Codes (SSCC) are provided in the GIN segment in the CPS segment group.

DE C208: If multiple, non-consecutive identification numbers are provided, then each of them is placed in the first DE 7402 of C208. If a range of consecutive identification numbers is provided, then the first number in that range is placed alone in the first DE 7402 of C208, and the last number in that range is placed alone in the second DE 7402 for that particular C208.

#### Example:

GIN+BX+12'

## INVRPT 4.3.0

### Segments Layout

Group	<b>SG9</b>	Status:C	Max. occ.: 999999	LIN-PIA-ALI-SG11
Group	<b>SG11</b>	Status:C	Max. occ.: 9999	INV-QTY-GIN-LOC-DTM
Segment	<b>LOC</b>	No.: 11 Status:C	Level: 3 Max. occ.: 5	Place/location identification

#### Description Place/location identification

Description of Segment:

	Description	St Format	*	Example	Remarks
3227	Location function code qualifier	M an..3		+14	<b>14</b> = Location of goods <b>18</b> = Warehouse <b>19</b> = Factory/plant <b>162</b> = Place or location of sale
C517	Location identification	A			
3225	Location name code	A an..25		+509910 4000221	GLN - Format n13 GLN des Inventar-Ortes
1131	Code list identification code	C an..17		:	
3055	Code list responsible agency code	D an..3		:9'	<b>9</b> = EAN (International Article Numbering association)

#### Description:

This segment is used to identify the location of inventoried goods or the delivery location specific to the quantity reported in the QTY segment.

When identifying locations it is recommended to use Global Location Number GLN.

#### Example:

LOC+14+5099104000221::9'

## INVRPT 4.3.0

### Segments Layout

Group	<b>SG9</b>	Status:C	Max. occ.: 999999	LIN-PIA-ALI-SG11
Group	<b>SG11</b>	Status:C	Max. occ.: 9999	INV-QTY-GIN-LOC-DTM
Segment	<b>DTM</b>	No.: 12 Status:C	Level: 3 Max. occ.: 5	Date/time/period

#### Description Date/time/period

Description of Segment:

	Description	St Format	*	Example	Remarks
C507	Date/time/period	R			
2005	Date or time or period function code qualifier	R an..3	*	+55	<b>55</b> = Confirmed date/time
2380	Date or time or period value	R an..35		: 2015081 5100000	
2379	Date or time or period format code	R an..3	*	:204'	<b>204</b> = CCYYMMDDHHMMSS

#### Description:

This segment is used to specify dates relevant to the quantity (or sub-quantity) specified in the QTY segment for the current line item.

#### Example:

DTM+55:201508151000001:204'

## INVRPT 4.3.0

### Segments Layout

**Segment** **UNT** No.: 13 Level: 0 **Message trailer**  
Status: M Max. occ.: 1

#### Description Message trailer

Description of Segment:

	Description	St Format	*	Example	Remarks
0074	Number of segments in the message	M n..6		+11	The total number of segments in the message is detailed here.
0062	Message reference number	M an..14		+100001'	The message reference numbered detailed here should equal the one specified in the UNH segment.

#### Description:

The UNT segment is a mandatory UN/EDIFACT segment. It must always be the last segment in the message.

#### Example:

UNT+11+ME000001'

## INVRPT 4.3.0

### *Example*

Message included mandatory information only:

```
UNH+100001+INVRPT:D:01B:UN:EAN006'  
BGM+35+21599+9'  
DTM+137:20060401081300:204'  
NAD+BY+5412345000013::9'  
LIN LIN+1+++5412345111115:SRV'  
PIA+1+ABC5343:IN::92'  
INV+1+++1'  
QTY+145:12:KGM'  
GIN+BX+12'  
LOC+14+5099104000221::9'  
UNT+11+100001
```

## **GS1 Switzerland – The Global Language of Business**

Global Standards provide more efficiency in value networks. GS1 Switzerland supports companies in optimizing their flows of goods, information and values and provides practical knowledge. Together with our members, we develop standards and process recommendations and create benefits for all parties involved. GS1 Switzerland is a neutral association based in Bern and part of the not-for-profit organization GS1, which is active in 140 countries.

### **GS1 Switzerland**

Monbijoustrasse 68  
CH-3007 Bern  
T +41 58 800 70 00

[www.gs1.ch](http://www.gs1.ch)

